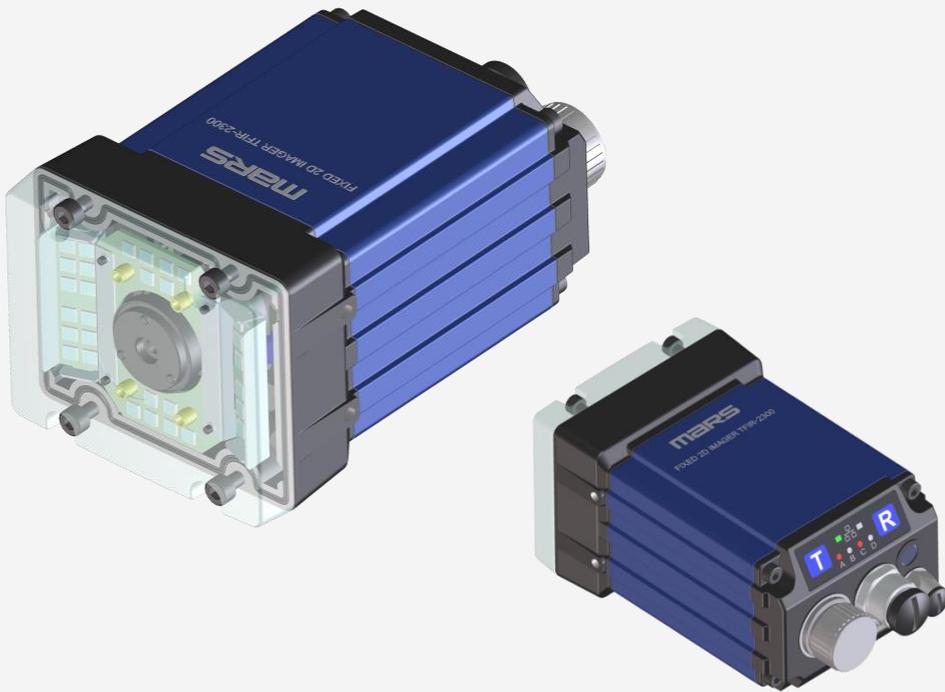


MVF-500

Stand alone machine vision camera

Large size area sensor + high power processor for machine vision



IP65 rating +

High speed processing +

2M pix +

Global shutter+

Wide FOV and DOF +

Daisy-chain connection +

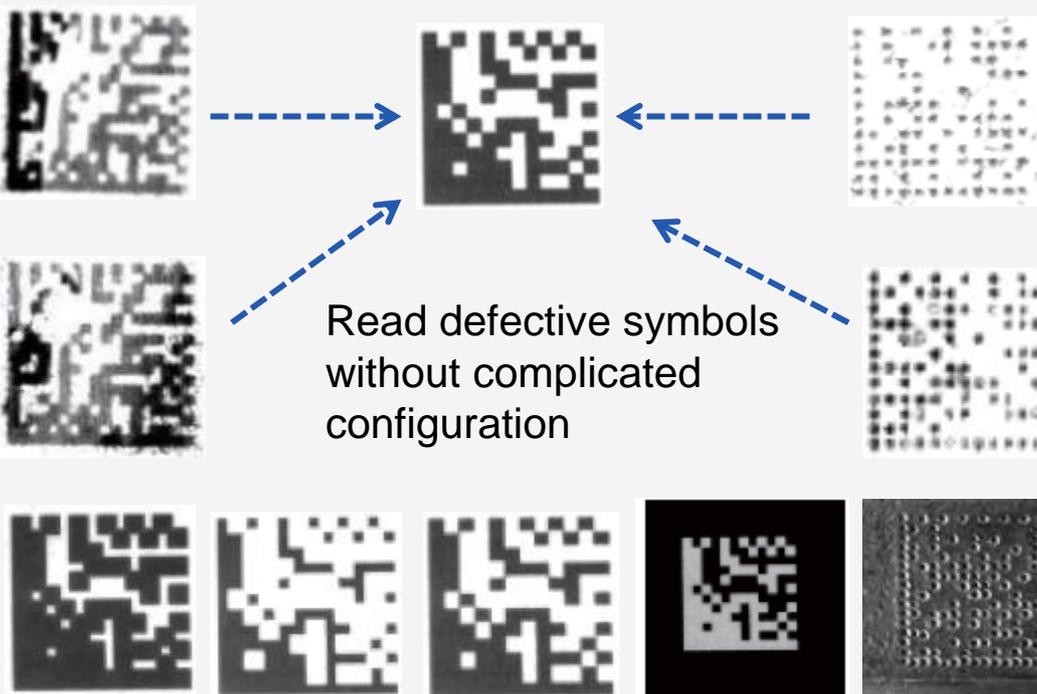
2D barcode reading +

OCR +

Regulation



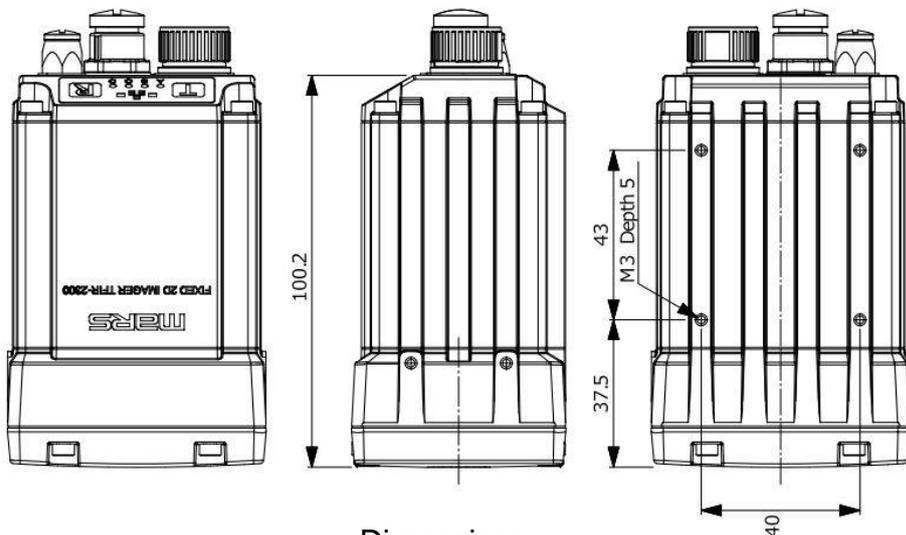
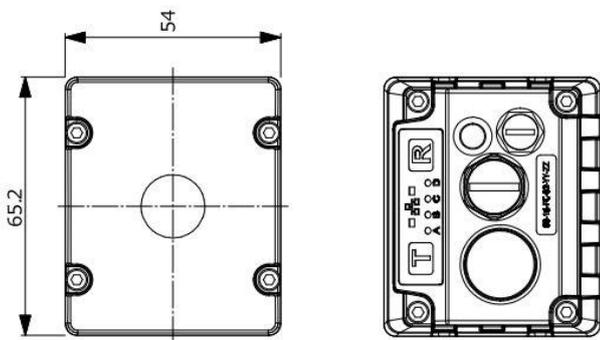
Thanks to new algorithm...



MVF-500

General specifications

Model number	MVF-500
Interface	RS-232C, Ethernet
Supported barcodes (2D)	DataMatrix(ECC200), PDF417, MaxiCode, QR Code, MicroQR, MicroPDF, GS1 Data Bar Composite, Customer barcode (optional)
Minimum resolution	Normal resolution type : 2D 0.167mm
Power	DC5.0V+/-5%
Power consumption	400mA @ 5.0V
Operating temperature / humidity	0 to 40C / 35 to 85%RH (non-condensing)
Storage temperature / humidity	-20 to 65 C / 35 to 85%RH (non-condensing)
Protection rating	IP65
Drop specification	Multiple drops from 2m to concrete (no reduction in reading performance)
Dimensions	60(W) x 162(H) x 125(D)mm
Weight	159g (without cable)



Dimensions

By daisy chain, connect multiple MVF-500 to cover wider range of FOV.

